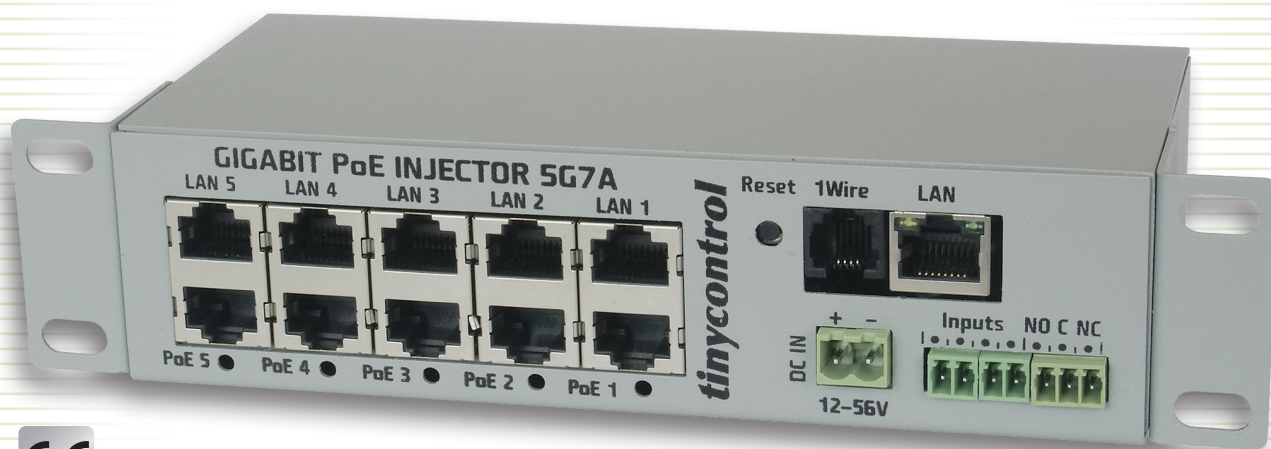


IT'S TIME FOR INTERNET OF THINGS

GIGABIT PoE INJECTOR 5G7A-M with the LAN managing option



Gigabit PoE injector is manufactured in our company to the needs of operators, wireless internet. As the only passive PoE device can deliver up to 1.5A power supply cable Ethernet standard 1 Gb/s. This effect was achieved using special, high current transformers on signal lines ethernet manufactured in Poland for our order. Power signal is introduced only four lines in accordance with the passive PoE 100 Mb/s, so that the device is completely compatible with the slower version of the LAN.

PoE injector meet the power requirements of 12V to 56V.

As an option, we have also introduced a remote management over LAN switching PoE power on each output separately and automatic watchdog function. It monitors to communicate with devices on the specified IP addresses and failure to respond ICMP resets properly adjusted output PoE. This additional management option is realized by **LAN Controller** - a device of our production, which has led out on the front panel analog input, logic input and output relay - for use according to the needs of the user, eg. detection of opening cabinets, measuring the battery voltage, the inclusion of fan and so on. There is also a digital temperature measurement port on the bus 1wire with DS18B20 sensors.

A practical solution is also the case of height and depth, and an optional 1U mounting bracket on the DIN-rail.

Technical data:

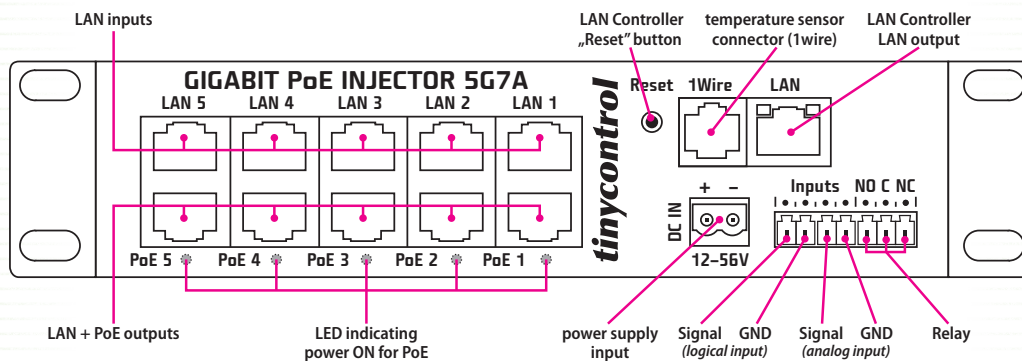
name	Gigabit PoE Injector 5G7A-M
the amount of 1Gbit ports	5x LAN, 5x LAN + PoE
PoE standard	4+, 5+, 7-, 8-
supply voltage (terminal peg)	12 ÷ 56 V DC
power consumption on a single PoE port	maximum 1.5 A (recommended to 1 A)
total current consumption on all ports	≤ 7 A
reverse polarity protection	YES
output short-circuit protection	YES 1,6 A
operating temperature range	-20 do + 65 °C
dimensions (height x width x length)	45 x 78 x 170 mm (207 mm with holders)
casing	Type 1U with the option of mounting on DIN-rail
weight	590 g

LEDATS.PL <...> **microprocessors project**

Konsorcjum ATS Sp.j. 26-600 Radom, ul. Żeromskiego 75, POLAND
tel./fax +48 48 383 00 30, e-mail: sales@ledats.pl, www.ledats.pl, www.wirelesslan.pl, www.tinycontrol.pl

IT'S TIME FOR INTERNET OF THINGS

GIGABIT PoE INJECTOR 5G7A-M with the LAN managing option



Functional features:

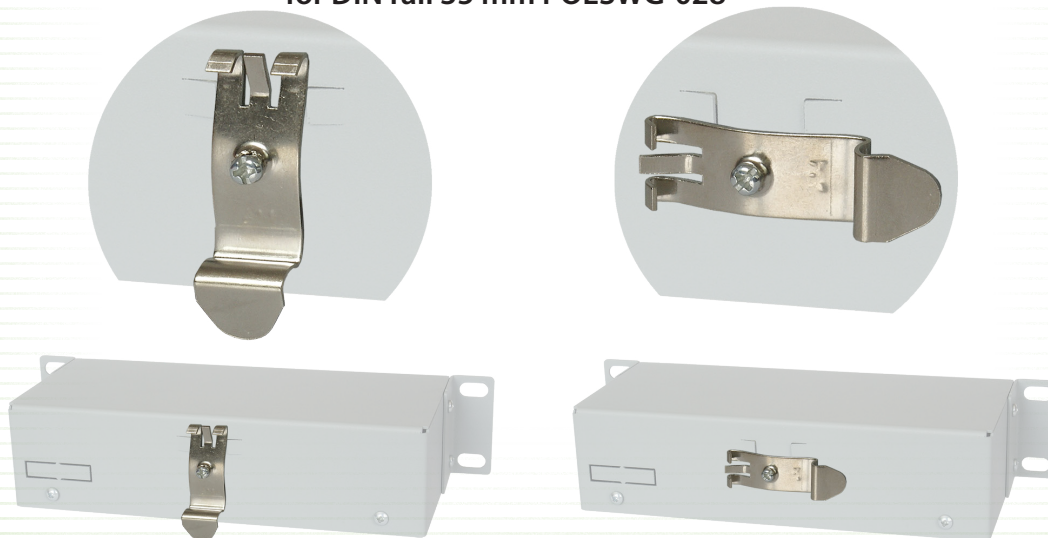
- high current carrying capacity *
- full bandwidth of 1 Gb/s
- over-voltage protection on the input
- overcurrent protection on the PoE outputs
- management by www / SNMPv2
- watchdog - reset PoE output
- 1 analog measurement input
- 1 measurement logic input
- digital temperature measurement
- assembly rack or DIN-rail

*Ethernet RJ45 connector is not intended for long-term load current of 1A above!
We recommend using the highest quality RJ45 plugs - necessarily with gold plated pins.

Typical uses:

- power radio equipment for PoE
- power cameras
- industrial networks
- smart home

Gigabit PoE Injector 5G7A-M with an attached handle
for DIN rail 35 mm POESWG-028**



**the handle is sold separately as an optional convenience.

LEDATS.PL <...> **microprocessors project**

Konsorcjum ATS Sp.j. 26-600 Radom, ul. Żeromskiego 75, POLAND
tel./fax +48 48 383 00 30, e-mail: sales@ledats.pl, www.ledats.pl, www.wirelesslan.pl, www.tinycontrol.pl