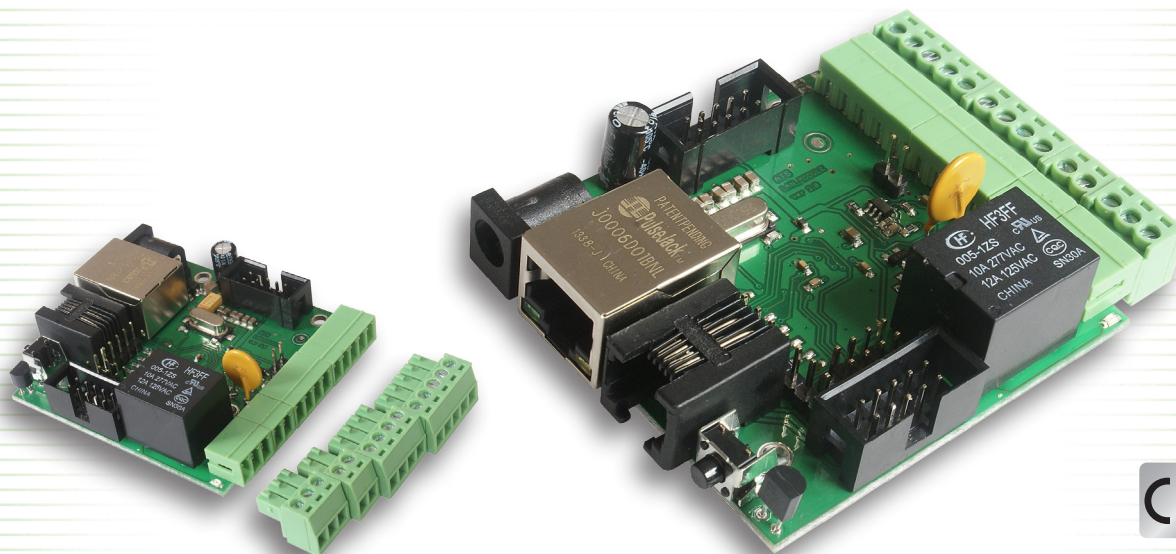


IT'S TIME FOR INTERNET OF THINGS

LAN CONTROLLER

LANKON-002



LAN controller is a simple, but innovative device which has long been lacking in the market network solutions. A small board serves as a web server which presents the various sensor readings and allows you to remotely control up to 6 outputs. The possibility of connecting to the bus 1 Wire (RJ11) temperature sensors DS18B20. The ideal solution for "smart homes" and ISP applications.

Technical data:

product code / name	LANKON-002 / LAN controller
supply voltage	8 V ÷ 28 V DC
power consumption	1 W
PoE supply	YES, passive
interfejs	Ethernet 10 Mbit
relay	255 V AC, 10 A
operation temperature	-20 do + 85 °C
dimensions (width x length)	60 x 68 mm (without plugs)
weight	50 g (without casing)
optional accessory (sold separately)	relays board (GSMKON-006), PoE resetting board (GSMKON-110), 1 wire splitter (LANKON-026), Sensor DHT22 (LANKON-032), 1 wire DS18B20 sensor with cable (LANKON-025)

Additionally Events Config feature allow you to setup the appropriate action when sensor readings met certain conditions, for example relay can turn up heater when temperature goes down bellow fixed temperature. ISP can use watchdog function, it check the ping up to 5 network devices, and if no response runs the relays. Useful for many applications can be a Scheduler, that allows turn on / off the devices at a specified time or for a specified period of time.

There is also PWM output to control brightness of light or an electric motor speed. For far from socket installation board could be powered by passive PoE supply. Few versions of firmware is available today, each is still developed and after publication customer could upgrade it by preaped software.

We hope that LAN controller will be located more new applications not only in ISP networks, but primarily as a simple home automation, monitoring condition of any kind systems, to measure renewable energy sources or as a simple measure of the energy consumption of various receivers.

tinycontrol.eu <...> **microprocessors projects**

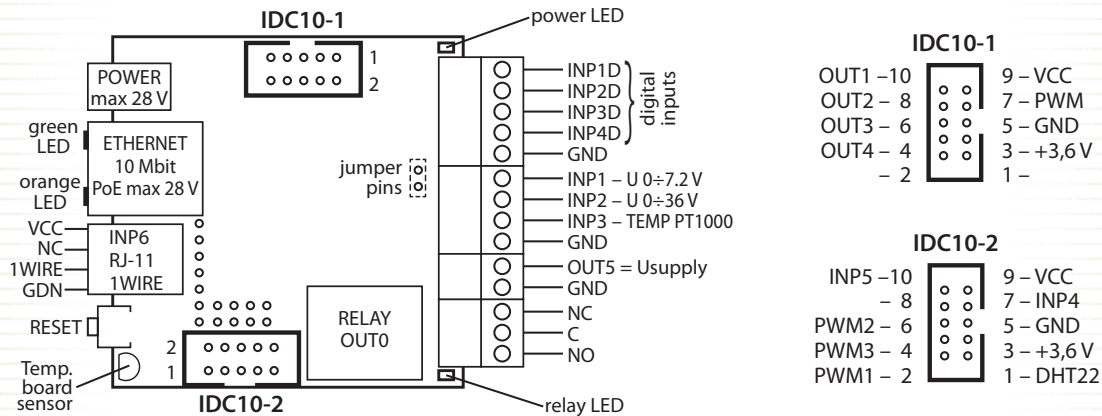
Konsorcjum ATS Sp.j. 26-600 Radom, ul. Żeromskiego 75, POLAND
tel./fax +48 48 366 00 30, e-mail: sklep@wirelesslan.pl, info@ats.pl, www.tinycontrol.eu, www.wirelesslan.eu

IT'S TIME FOR INTERNET OF THINGS

LAN CONTROLLER

LANKON-002

LAN Controller V2.0 terminal diagram



Example of applications:

ISP

- watchdog function to checking TCP/IP connection and launch outputs if hanging happen
- temperature, supply voltage and person occupancy control in server rooms
- weather condition report on the occasion of IP cameras views

Home control

- home electric stove control (automatically or remote)
- turning on/off home lightening remote, by scheduler or by event, controlling intensity
- turning off TV box if remote is other person hands ;-)
- irrigation control

Home installations

- temperature controlling and simple automation in your heating system
- temperature and pressure controlling in solar thermal installations
- measurements of heat pump operation
- monitoring of grid voltage and automatic switching to backup with mail notification
- remote control (by LAN or wirelesslan) understands as forwarding command to one of output of Lan controller from input of other Lan controller

Renewable energy

- measurements of solar cells work
- measurements of wind turbines
- measurements of charging battery
- measurements of power consuming

Agriculture

- irrigation systems
- animal food processing automatizations

Basic features:

- 5 analog inputs: temperature, voltage, current (by additional boards) and another physics measurements
- 4 digital (logical) inputs: for monitoring, as a pulse counter from energy meter
- 1 digital input for 1 wire bus with support for 4 or 6 temperature sensors
- 1 relay output (NO, NC, C)
- 1 transistor output up to 1A
- 4 outputs to switch relays or transistors
- 4 PWM outputs 2,6KHz - 4MHz
- supply voltage and temperature monitoring on board
- reverse polarization protection